

Circular Waste Chute

TSL.R15

The TSL.R15 is a hygienic waste chute with a minimalist stainless steel design.

All taps and accessories from The Splash Lab are fully compatible with the Concept Washroom range. By specifying directly with us, you gain exclusive project pricing, expert guidance from our specification team, and dedicated support from start to finish.

Finish	Codes	LRV*
● Black	TSL.R15.BK	3
● Brass	TSL.R15.BR	40
● Satin	TSL.R15.CS	58
● Bronze	TSL.R15.BZ	17
● Copper	TSL.R15.CP	19

Light Reflectance Value*

+ Satin



+ Black



+ Brass



+ Bronze



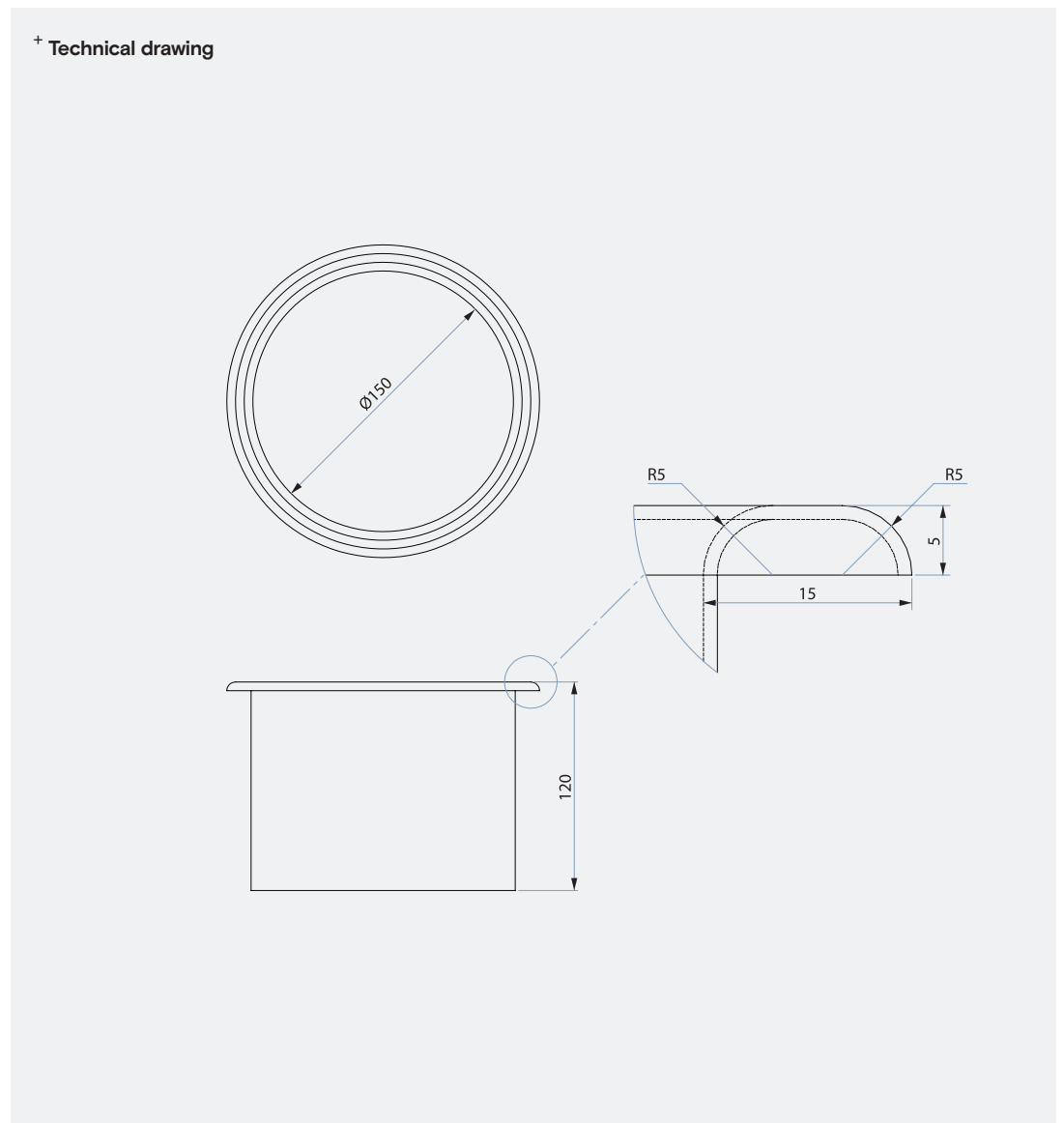
+ Copper



Included

TSL.R15 Circular Waste Chute

+ Technical drawing



Spare parts

There are no user serviceable parts.

Warranty

2 Years from date of purchase

Technical Data

Weight	0.39kg
Diameter	150mm
Depth	120mm

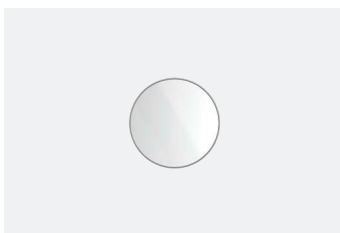
Related documents

Installation and maintenance manual

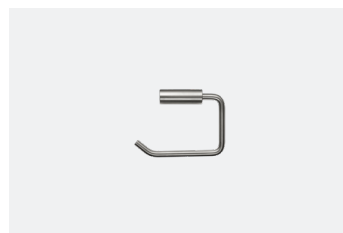
Warranty document

To obtain these documents please email info.uk@thesplashlab.com

Related products



Wall Mounted Mirror / Circular
TSL.MR10



Single Toilet Roll Holder
TSL.45



25L Waste Receptacle
TSL.279



Double Toilet Roll Holder
TSL.46