

PVD Mirror / Rectangular

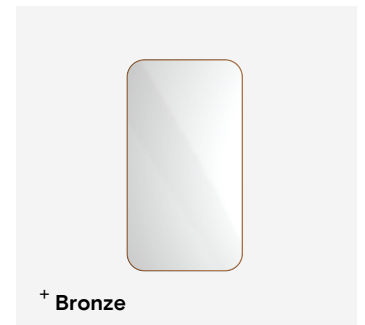
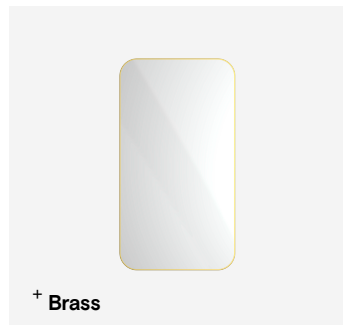
TSL.MR20

The TSL.MR20 is an elegant rectangular mirror made from stainless steel and is available in 5 stunning PVD options, making it a stylish and functional addition to any restroom.

All taps and accessories from The Splash Lab are fully compatible with the Concept Washroom range. By specifying directly with us, you gain exclusive project pricing, expert guidance from our specification team, and dedicated support from start to finish.

Finish	Codes	LRV*
● Satin	TSL.MR20.CS	58
● Black	TSL.MR20.BK	3
● Brass	TSL.MR20.BR	40
● Copper	TSL.MR20.CP	19
● Bronze	TSL.MR20.BZ	17

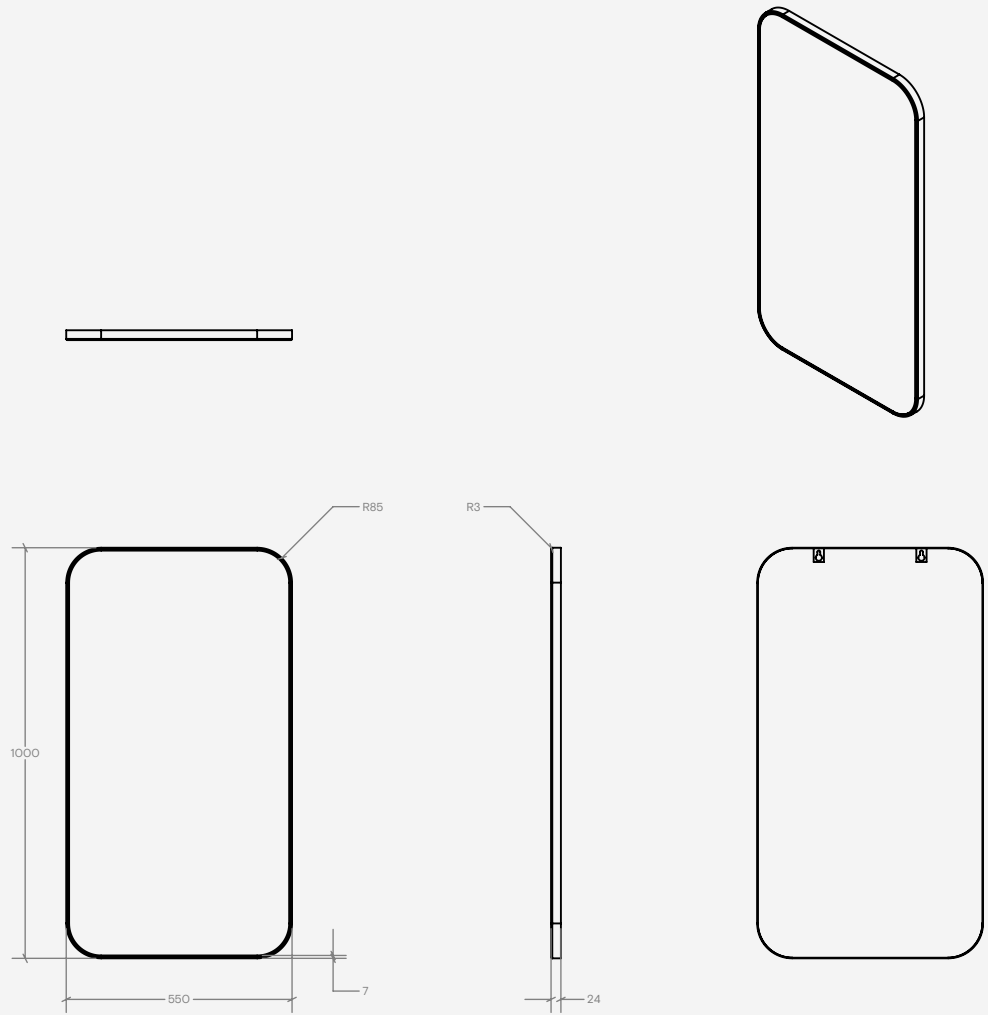
Light Reflectance Value*



Key Components/Spare Parts

PVD Mirror Rectangular
TSL.MR20

+ Technical drawing



Warranty & Spare parts

For warranty terms and conditions please visit www.thesplashlab.com

If additional spare parts are required and are not listed above, please contact us at info.uk@thesplashlab.com

Related products



The Aerofoil Basin
TSL.AERO



The Monolith M Series - 450mm
TSL.M



The Nano
TSL.N



DDA Basin (RH/LH)
TSL.DDA