

Straight Grab Bar – 600mm

TSL.GR45.600

The TSL.GR45.600 is a 600mm straight grab bar, which comes with concealed fixing roses.

All taps and accessories from The Splash Lab are fully compatible with the Concept Washroom range. By specifying directly with us, you gain exclusive project pricing, expert guidance from our specification team, and dedicated support from start to finish.

Finish	Codes	LRV*
● Black	TSL.GR45.600.BK	3
● Brass	TSL.GR45.600.BR	40
● Satin	TSL.GR45.600.CS	58
● Bronze	TSL.GR45.600.BZ	17
● Copper	TSL.GR45.600.CP	19

Light Reflectance Value*

+ Satin



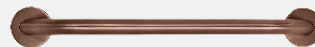
+ Black



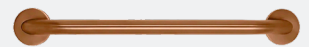
+ Brass



+ Bronze



+ Copper



Technical Data

Weight	1.78Kg
Stainless steel grade	304
Warranty	1 year from date of purchase

Installation requirements

All rails must be fixed to a suitable wall substrate to allow correct use to be made of the rails. The Splash Lab recommend that installers contact a fixings specialist for advice to ensure the correct fixings are used for the location. Fixings not included with rail.

Compliance & certificates

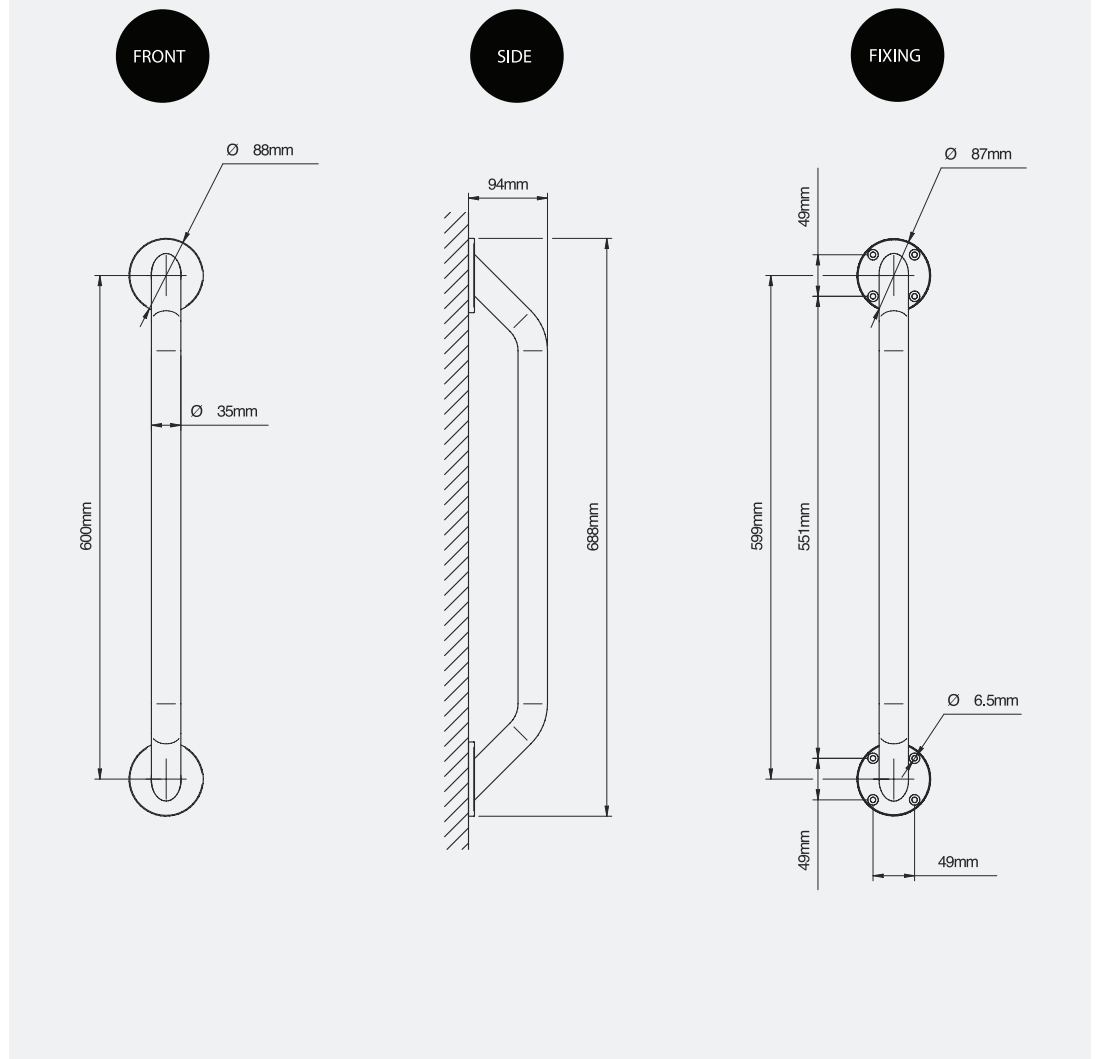
The TSL.GR45.600 grab rail can be used to form part of a DDA compliant washroom, if installed in accordance with the current guidelines in force.

Included

TSL.GR45.600 Grab Bar

Concealed fixing roses

+ Technical drawing



Warranty & Spare parts

If a situation arises where you require replacement components outside of a maintenance contract, there may be provision to obtain spare parts. Providing the components are under warranty and the parts have become non-functioning during normal use within their assumed usable life, they may be replaced. Should a replacement mains power supply be required it is imperative that an identical type is used. Contact **The Splash Lab** for further information.

Related products



Straight Grab Bar - 450mm
TSL.GR45.450



Hinged Grab Bar
TSL.GR45