

Straight Grab Bar - 450mm

TSL.GR45.450

The TSL.GR45.450 is a 450mm straight grab bar, which comes with concealed fixing roses.

All taps and accessories from The Splash Lab are fully compatible with the Concept Washroom range. By specifying directly with us, you gain exclusive project pricing, expert guidance from our specification team, and dedicated support from start to finish.

Finish	Codes	LRV*
● Black	TSL.GR45.450.BK	3
● Brass	TSL.GR45.450.BR	40
● Satin	TSL.GR45.450.CS	58
● Bronze	TSL.GR45.450.BZ	17
● Copper	TSL.GR45.450.CP	19

Light Reflectance Value*

+ Satin



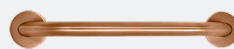
+ Black



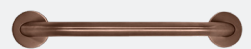
+ Brass



+ Copper



+ Bronze



Technical Data

Weight	1.3Kg
Stainless steel grade	304
Warranty	1 year from date of purchase

Installation requirements

All rails must be fixed to a suitable wall substrate to allow correct use to be made of the rails. The Splash Lab recommended that installers contact a fixings specialist for advice to ensure the correct fixings are used for the location. Fixings not included with rail.

Compliance & certificates

The TSL.GR45.450 grab rail can be used to form part of a DDA compliant washroom, if installed in accordance with the current guidelines in force.

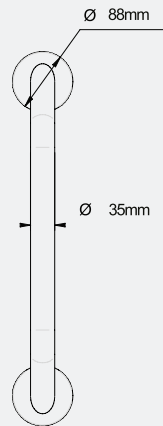
Key Components

TSL.GR45.450 Grab Bar

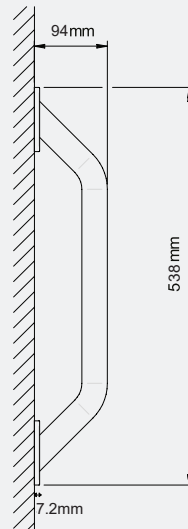
Concealed fixings roses

+ Technical drawing

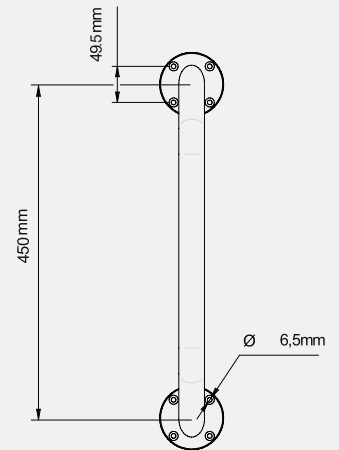
FRONT



SIDE



FIXING



Warranty & Spare parts

For warranty terms and conditions please visit www.thesplashlab.com

If additional spare parts are required and are not listed below, please contact us at info.uk@thesplashlab.com

Related products



Straight Grab Bar 600mm
TSL.GR45.600



Universal Hinged Grab Bar
TSL.GR45.U



Coat Hook
TSL.974