

Wall Mounted Manual Tap

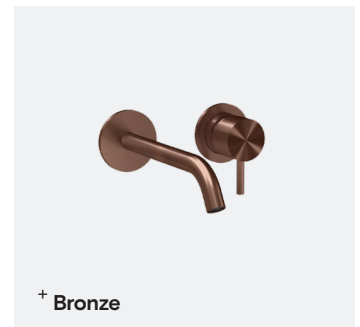
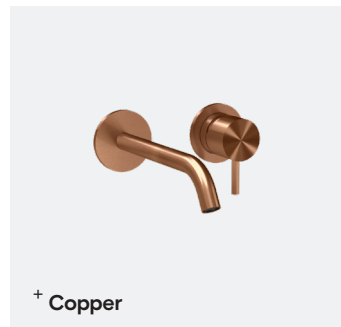
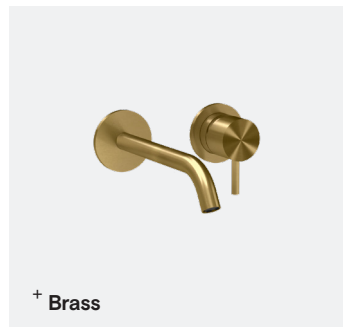
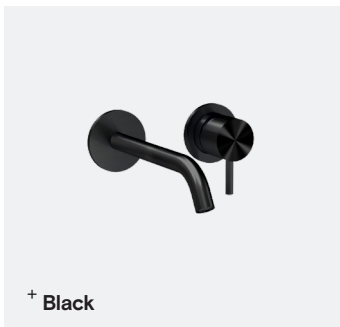
TSL.970

The TSL.970 is a wall-mounted manual tap that features a sleek spout, with an accompanying lever operated mixer, available in a range of finishes.

All taps and accessories from The Splash Lab are fully compatible with the Concept Washroom range. By specifying directly with us, you gain exclusive project pricing, expert guidance from our specification team, and dedicated support from start to finish.

Finish	Codes	LRV*
● Satin	TSL.970.CS	58
● Black	TSL.970.BK	3
● Brass	TSL.970.BR	40
● Copper	TSL.970.CP	19
● Bronze	TSL.970.BZ	17

*Light reflectance value



Technical Data

Material	AISI 304 Stainless Steel
Coating type	PVD (colours only)
Aerator	Cascade
Water pressure (dynamic)	0.5 to 7.5 Bar [0.05 to 0.75MPa]
Water temperature (max)	60°C
Flow rates	3.8 litres/minute - Cascade ow 1.9 litres / minute - Spray ow
Additional flow rates	1.35 litres / minute - Spray flo
Spout length	150mm - also available in 220mm

Installation requirments

Water supply	1.0 Bar is the recommended minimum pressure for the taps to operate effectively. 7.5 Bar is the maximum pressure for commissioning and is NOT recommended for general use Gravity-fed systems may require a booster pump to achieve the optimal operating pressure All pipework must be thoroughly cleaned and clear of any debris before connecting the tap
--------------	---

Compliance certificates

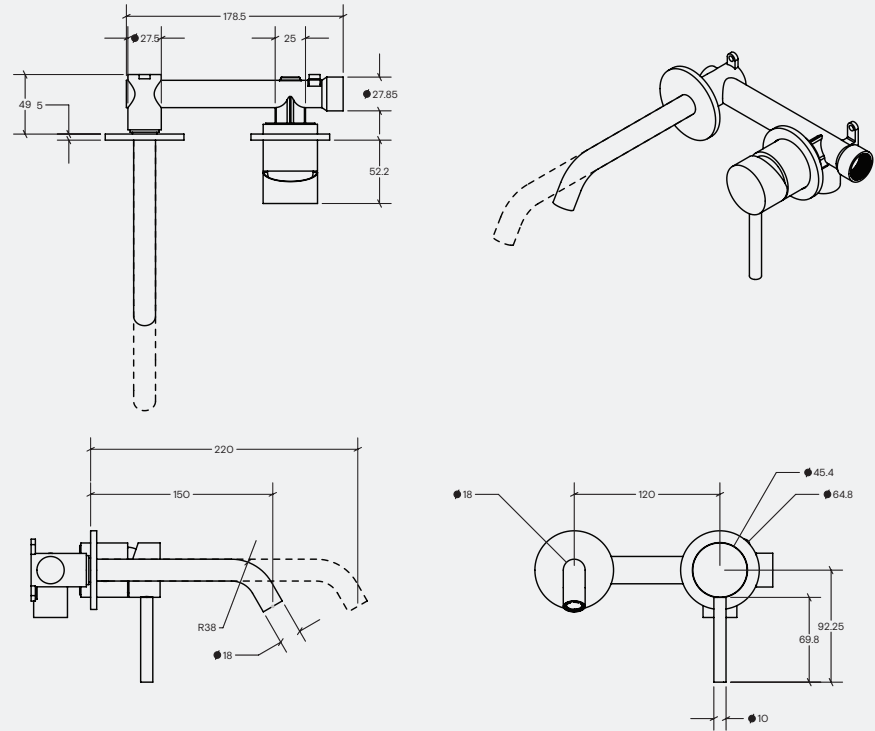
WRAS	Certification No 241004020
------	----------------------------



Included

Wall Mounted Manual Tap
TSL.970

+ Technical drawing



Warranty & Spare parts

For warranty terms and conditions please visit www.thesplashlab.com

If additional spare parts are required and are not listed below, please contact us at info.uk@thesplashlab.com

Related products



Deck Mounted Manual Tap
TSL.950



Wall Mounted Manual Soap
Dispenser
TSL.470



Wall Mounted Cylindrical Pump
Soap Dispenser
TSL.938