

# Wall-Mounted 10L Sanitary Bin

TSL.908

The TSL.908 is a wall mounted sanitary bin with a generous 10 litre volume. Available in 5 PVD finishes it ensures a cohesive and elegant solution for any commercial washroom.

All taps and accessories from The Splash Lab are fully compatible with the Concept Washroom range. By specifying directly with us, you gain exclusive project pricing, expert guidance from our specification team, and dedicated support from start to finish.

Finish	Codes	LRV*
● Satin	TSL.908.CS	58
● Black	TSL.908.BK	3
● Brass	TSL.908.BR	40
● Copper	TSL.908.CP	19
● Bronze	TSL.908.BZ	17

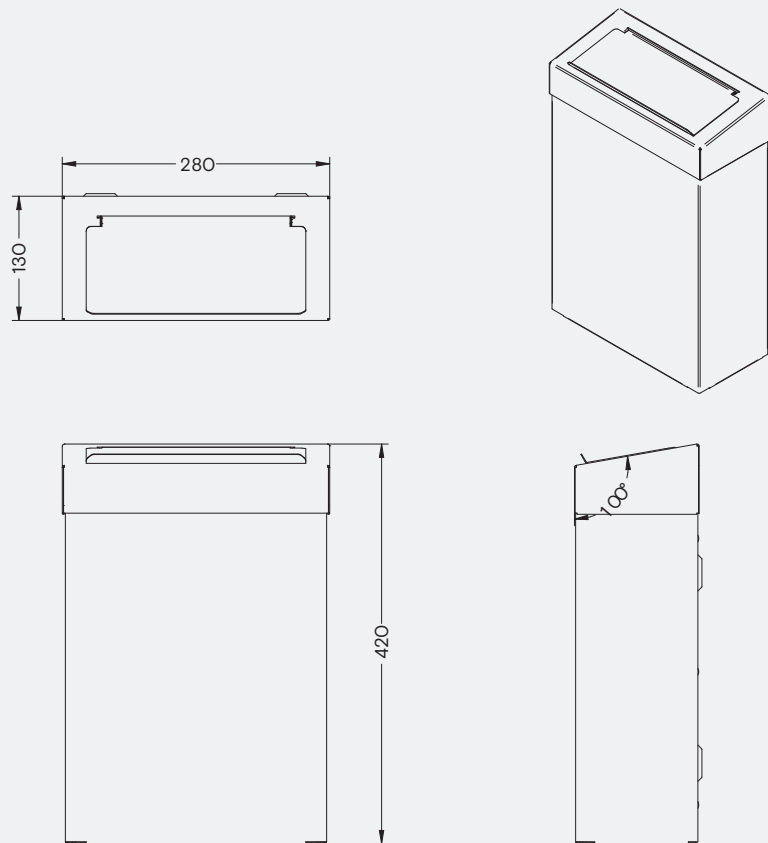
\*Light reflectance value



## Included

Wall-Mounted 10L Sanitary Bin

## + Technical drawing



## Warranty & Spare parts

For warranty terms and conditions please visit [www.thesplashlab.com](http://www.thesplashlab.com)

If additional spare parts are required and are not listed below, please contact us at [info.uk@thesplashlab.com](mailto:info.uk@thesplashlab.com)

## Related products



**Wall-Mounted 7L Sanitary Bin**  
TSL.909



**Wall-Mounted Waste Bin**  
TSL.910



**Radius Auspex Sensor Tap 220mm**  
TSL.894