

Waste Grate

TSL.680

A stainless steel unslotted basin waste grate, with 7 draining holes with 1 1/4" pipe connection.

All taps and accessories from The Splash Lab are fully compatible with the Concept Washroom range. By specifying directly with us, you gain exclusive project pricing, expert guidance from our specification team, and dedicated support from start to finish.

Finish	Codes	LRV*
● Black	TSL.680.BK	3
● Brass	TSL.680.BR	40
● Satin	TSL.680.CS	58
● Bronze	TSL.680.BZ	17
● Copper	TSL.680.CP	19

Light Reflectance Value*

+ Satin



+ Black



+ Brass



+ Bronze



+ Copper



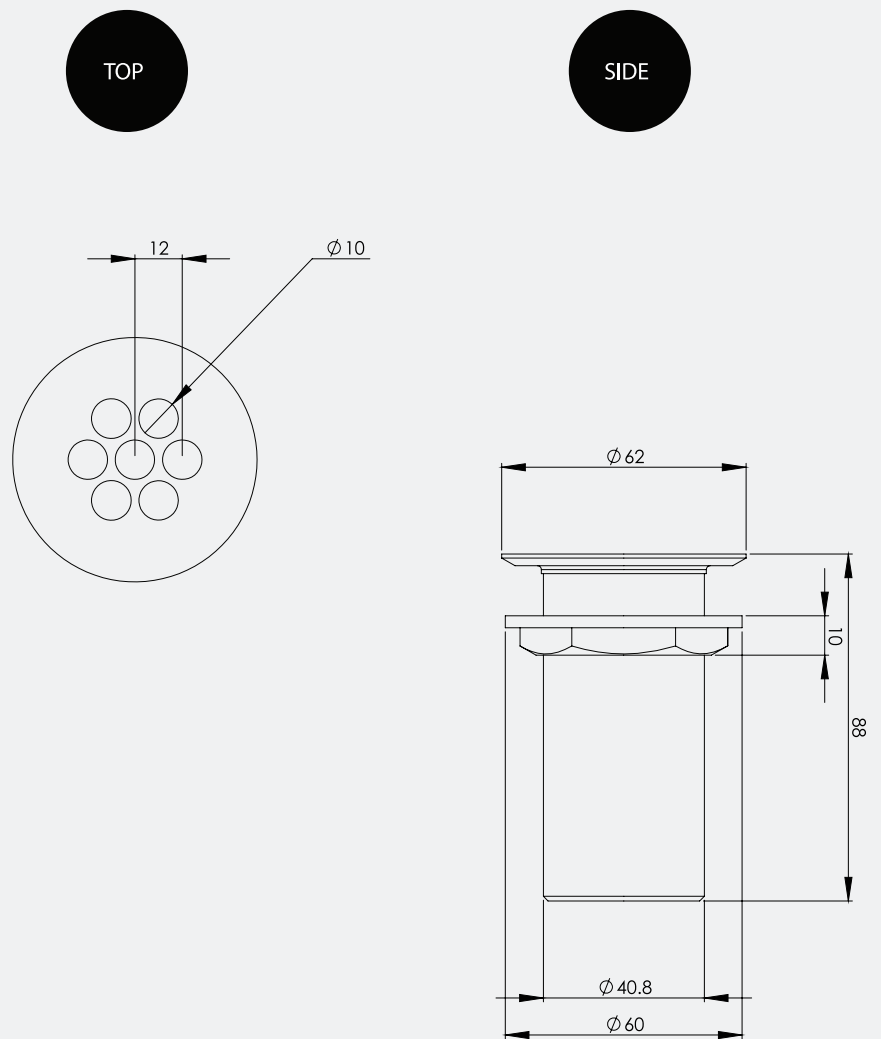
Included

TSL.680 Waste Grate

Fixing nut

Sealing washer

+ Technical drawing



Technical Data

Stainless steel grade AISI304

Flange diameter 62mm

Length 88mm

Pipe connection 1 1/4" BSP

Weight 0.33kg

Related documents

Installation and maintenance manual

Warranty document

Installation requirements

The waste grate is to be connected to a standard 1 1/4" trap.

Spare parts

The waste grate is to be connected to a standard 1 1/4" trap.

Warranty

1 Year from date of purchase

To obtain these documents please email
info.uk@thesplashlab.com