

Wall Mounted Sensor Soap Dispenser

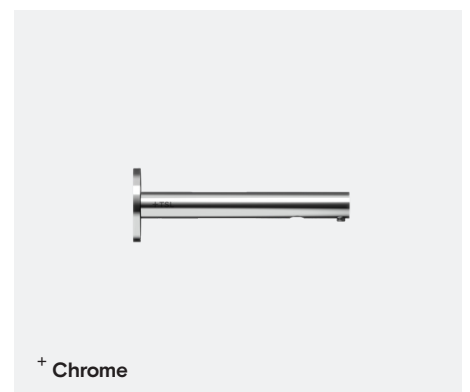
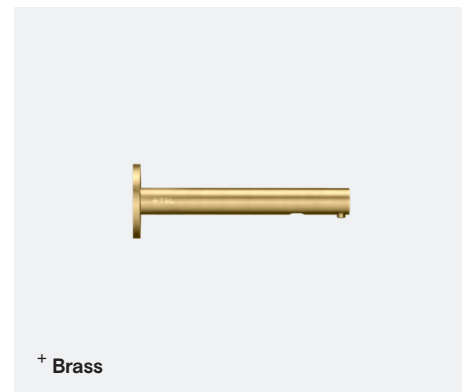
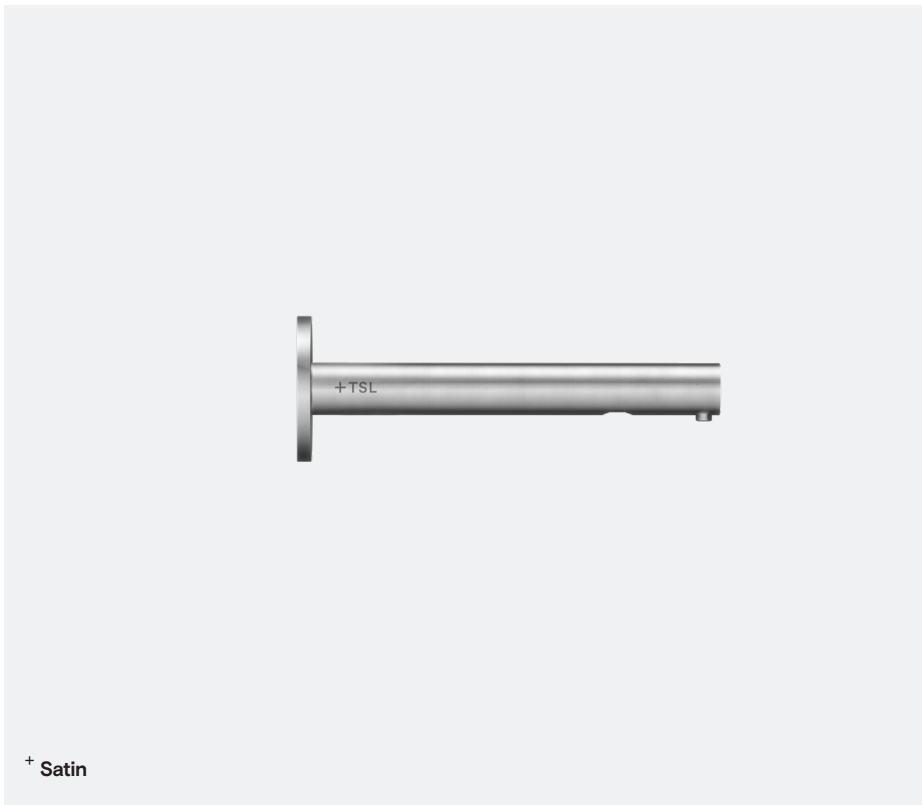
TSL.467

The TSL.467 is a stainless steel wall mounted soap dispenser, available in a variety of coloured finishes, with a sleek minimalist design.

All taps and accessories from The Splash Lab are fully compatible with the Concept Washroom range. By specifying directly with us, you gain exclusive project pricing, expert guidance from our specification team, and dedicated support from start to finish.

Finish	Codes	LRV*
● Black	TSL.467.BK	3
● Brass	TSL.467.BR	40
● Satin	TSL.467.CS	58
● Bronze	TSL.467.BZ	17
● Copper	TSL.467.CP	19
● Chrome	TSL.467.C	75

Light Reflectance Value*



Technical Data

Weight	0.25Kg
Material	AISI 304 Stainless Steel
Power supply	110V - 230V ac; 50/60Hz
Output	1000mA
Standby power	0.1W
Standard discharge	1.0ml
Coating type	PVD (colours only)
Recommended soap type	Foam soap - <10cPS viscosity. Not suitable for liquid soaps, alcohol gels or hand sanitisers
Soap reservoir capacity	1 Litre
Sensor range	Preset 70mm (adjustable using seperate controller if required) Max range 400mm Min range 60mm
Sensor type	Infrared
Response time (max)	< 300ms
Security cut-off time	30 seconds
Cable lengths	Connection to sensor cable - 630mm Connection to fused supply - 1760mm

Installation requirments

Splashback cut-out size	ø 18mm
Depth of Wall Cavity (min)	100mm
Access requirements	Power supply units and pump units must be accessible at for initial installation & commissioning and/or ongoing/routine maintenance.
Washroom layout	Soap pump and reservoir must be accessible for installation, commissioning and ongoing maintenance.
Power supply	3amp fused spur to be connected to IP68 transformer supplied; low voltage push fit connector to dispenser. It is not recommended that sensor-operated soap dispensers are connected to an occupancy circuit.

continued on following page

Key Components / Spare Parts

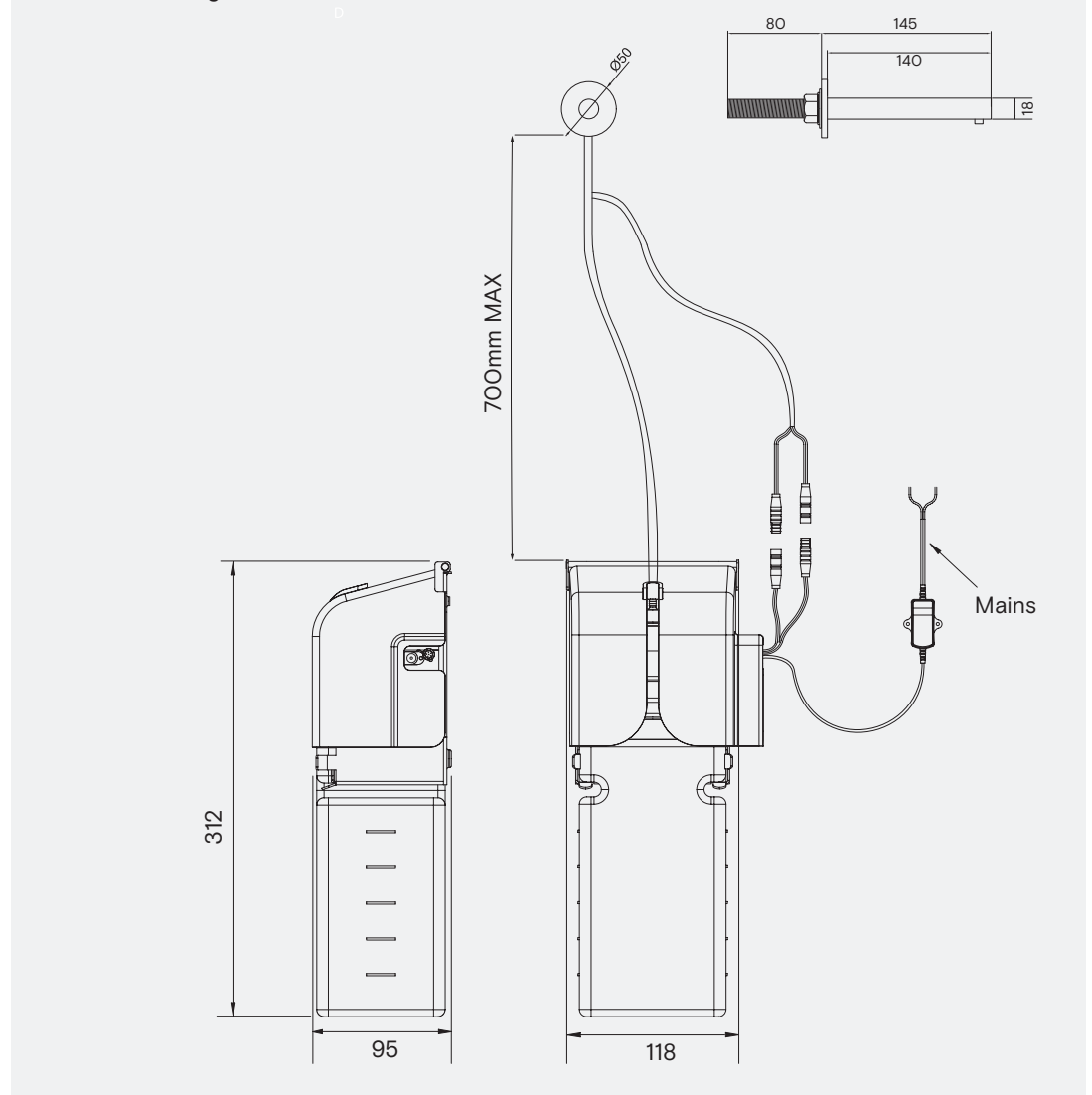
CBS Sensor Soap
TSLP.270068

Foamer Pick-up Pipe
LSTB

Soap Foamer
TSLP.230326

1.5L Soap Tank - (No Handle)
TSL.230327

+ Technical drawing

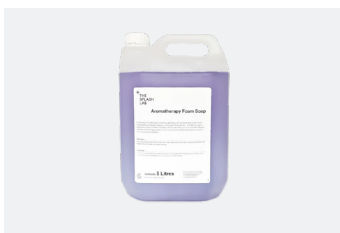


Warranty & Spare parts

For warranty terms and conditions please visit www.thesplashlab.com

If additional spare parts are required and are not listed above, please contact us at info.uk@thesplashlab.com

Related products



Aromatherapy Foam Soap
TSL.AFS



Radius Auspex Sensor Tap / 220
TSL.894



Radius Auspex Sensor Tap / 150
TSL.895



Wall Mounted Manual Soap Dispenser
TSL.470