

25L Waste Receptacle

TSL.279

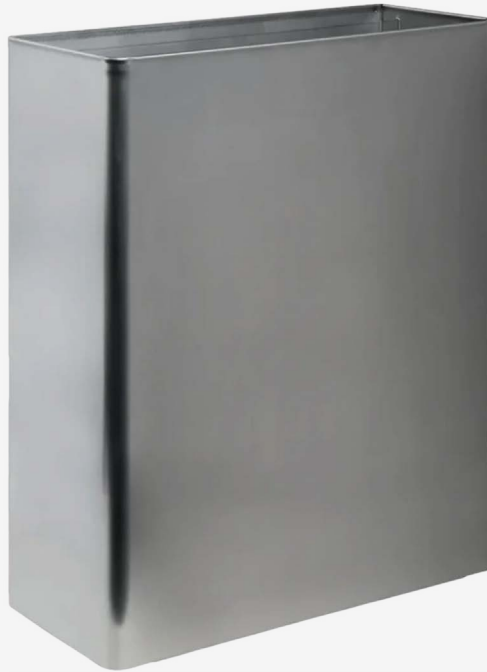
The TSL.279 is a stainless steel waste bin, available wall mounted, with a 25 litre capacity.

All taps and accessories from The Splash Lab are fully compatible with the Concept Washroom range. By specifying directly with us, you gain exclusive project pricing, expert guidance from our specification team, and dedicated support from start to finish.

Finish	Codes	LRV*
● Black	TSL.279.BK	3
● Brass	TSL.279.BR	40
● Satin	TSL.279.CS	58
● Bronze	TSL.279.BZ	17
● Copper	TSL.279.CP	19

Light Reflectance Value*

+ Satin



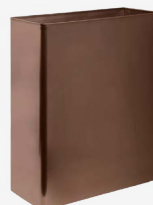
+ Black



+ Brass



+ Bronze



+ Copper



Technical Data

Weight 2.92kg

Stainless steel 304

Capacity 25 litres

Installation requirments

Installation and maintenance manual

Warranty document

Compliance & certificates

CE

UL

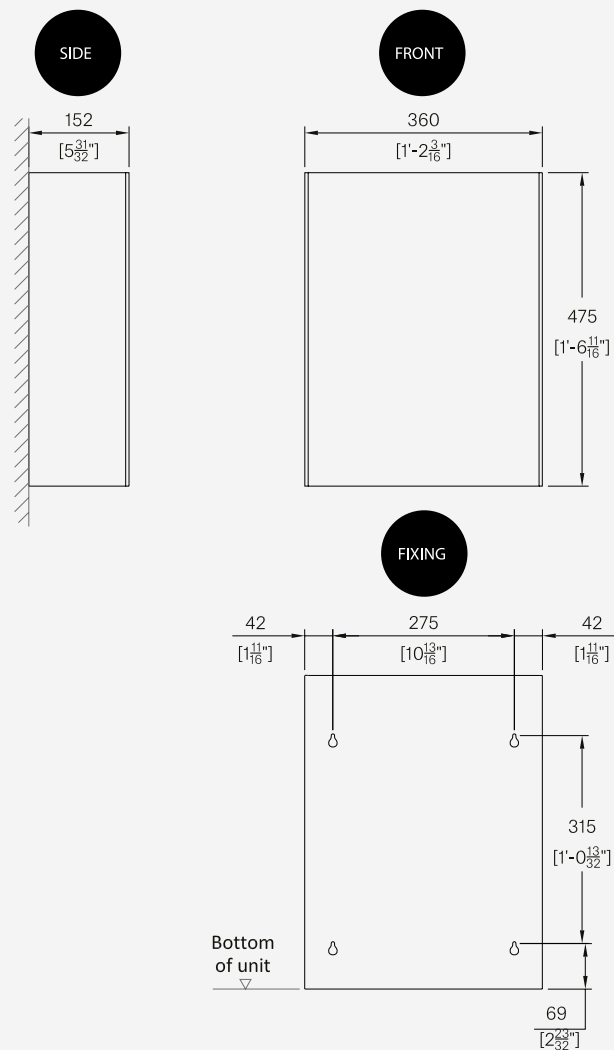
RoHS

UKCA

Included

TSL.279 25L Waste Receptacle

+ Technical drawing



Spare parts

For warranty terms and conditions please visit www.thesplashlab.com

If additional spare parts are required and are not listed above, please contact us at info.uk@thesplashlab.com

Part	Codes
Motor	TSLP.260040
PCB (includes sensor)	TSLP.409498

Related products



Waste Grate
TSL.680



Universal Click Clack Waste Fitting
TSL.673



Circular Waste Chute
TSL.R15