

# Universal Click Clack Waste Fitting

TSL.673

The TSL.673 is a universal basin waste, 1/4" connection, constructed from stainless steel and available in a selection of finishes.

All taps and accessories from The Splash Lab are fully compatible with the Concept Washroom range. By specifying directly with us, you gain exclusive project pricing, expert guidance from our specification team, and dedicated support from start to finish.

Finish	Codes	LRV*
● Black	TSL.673.BK	3
● Brass	TSL.673.BR	40
● Satin	TSL.673.CS	58
● Bronze	TSL.673.BZ	17
● Copper	TSL.673.CP	19

Light Reflectance Value\*

+ Satin



+ Black



+ Brass



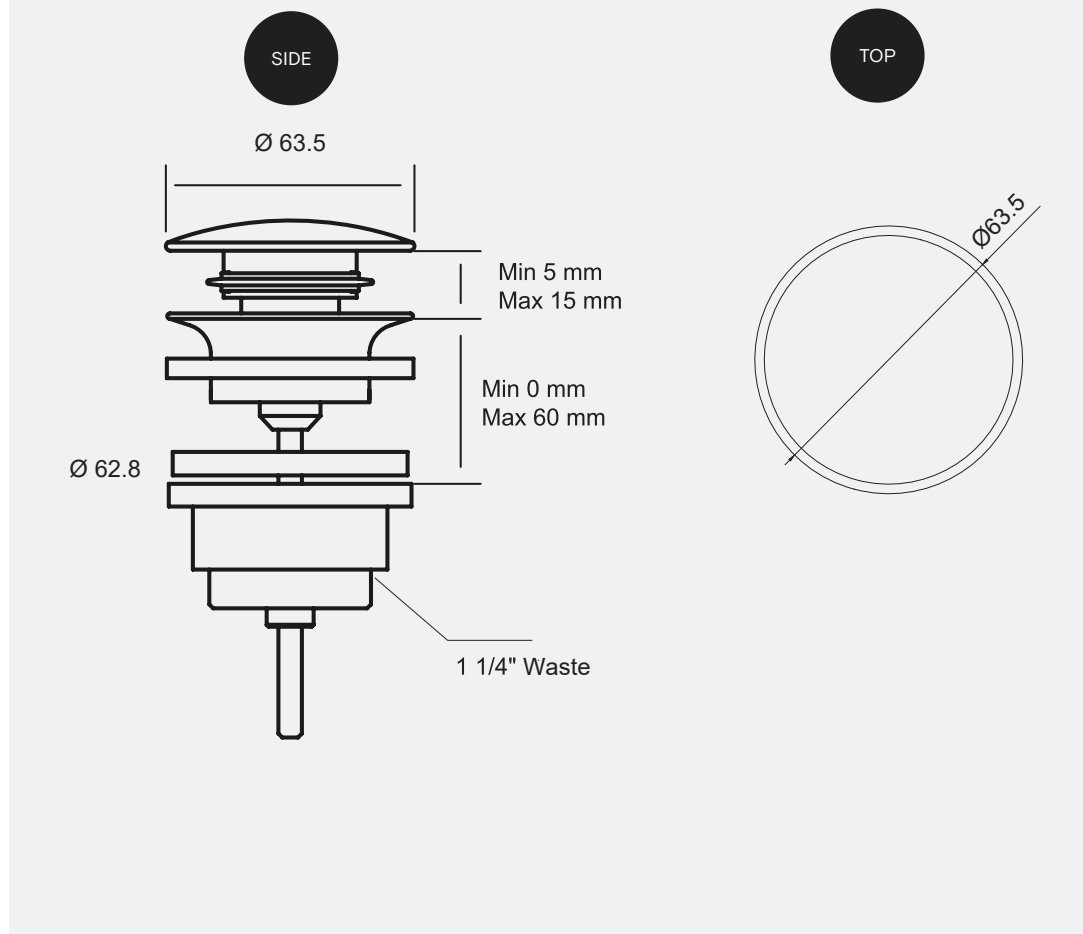
+ Bronze



+ Copper



+ Technical drawing



**Installation requirements**

The waste fitting is to be connected to a standard 1 1/4" wide.

**Warranty & Spare parts**

For warranty terms and conditions please visit [www.thesplashlab.com](http://www.thesplashlab.com)

If additional spare parts are required and are not listed above, please contact us at [info.uk@thesplashlab.com](mailto:info.uk@thesplashlab.com)

**Technical Data**

Weight	0.25 kg
Stainless steel	AISI304

**Related documents**

Installation and maintenance manual	<a href="mailto:info.uk@thesplashlab.com">info.uk@thesplashlab.com</a>
Warranty document	<a href="mailto:info.uk@thesplashlab.com">info.uk@thesplashlab.com</a>